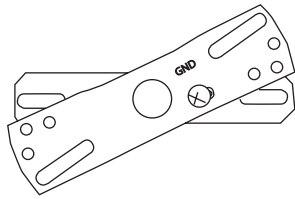


# RETRO STEAM WORKS

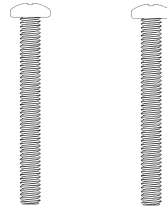
## PLUG-IN WALL SCONCE INSTALLATION GUIDE

For any inquiries or additional help, please contact [customerservice@retrosteamworks.com](mailto:customerservice@retrosteamworks.com)

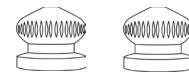
### INCLUDED HARDWARE FOR PLUG-IN SCONCES



Swivel Crossbar



8-32 Crossbar Screws (2)



Acorn Nuts (2)

### A SPECIAL NOTE ABOUT UNSEALED BRASS AND AGED-BRASS FINISHES

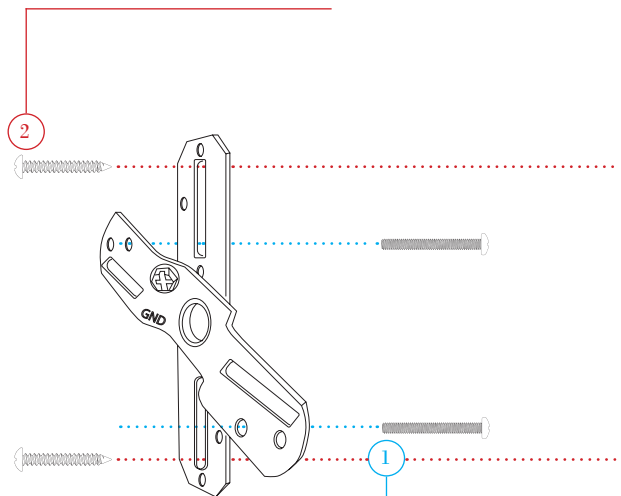
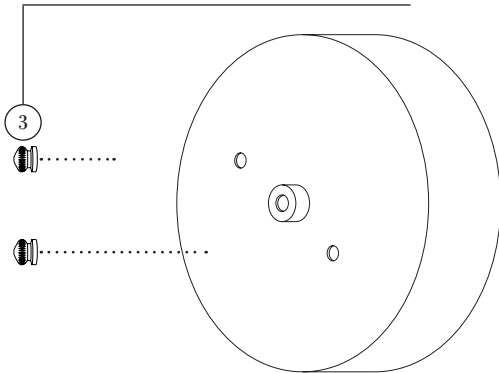
Our brass and aged-brass finishes are unsealed. Brass is particularly susceptible to tarnishing with oils from our hands and chemicals like ammonia in Windex. Use gloves while installing these fixtures to prevent fingerprinting. If cleaning the brass is needed, we use Brasso (not for aged-brass finishes). If you choose, you may clear coat the brass to prevent any tarnishing with a clear spray lacquer or rubbed mineral oils.

### INSTALLATION INSTRUCTIONS

Please note: It is always recommended that a licensed electrician install electrical fixtures. **MAKE SURE THE ELECTRICITY IS OFF.**

Use screws to attach the swivel crossbar to the wall \*NOT INCLUDED\*

Rotate the fixture as needed to get it level, then use the acorn nuts to secure the fixture.



Screw the provided 8-32 Crossbar Screws into the innermost threaded holes.